



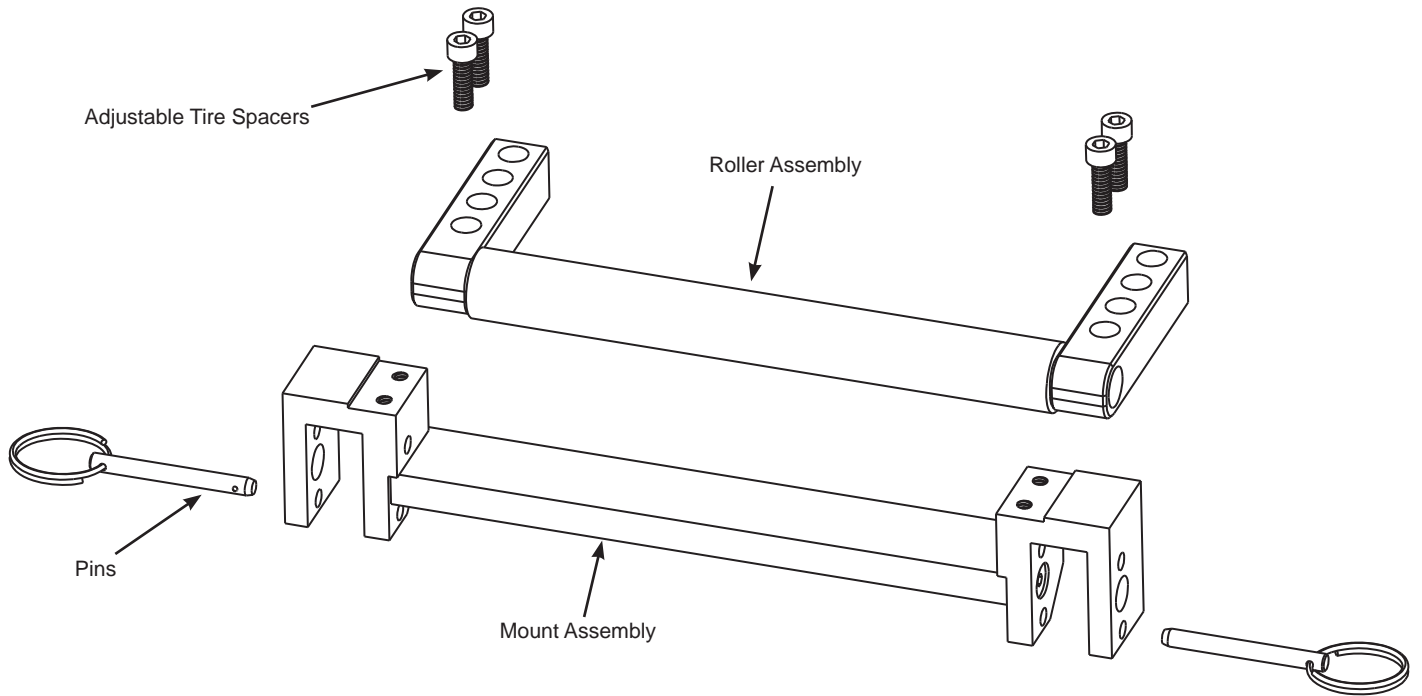
1. Components

2. Installation Guide

2-1. Installation

2-2. Warranty

1. Components

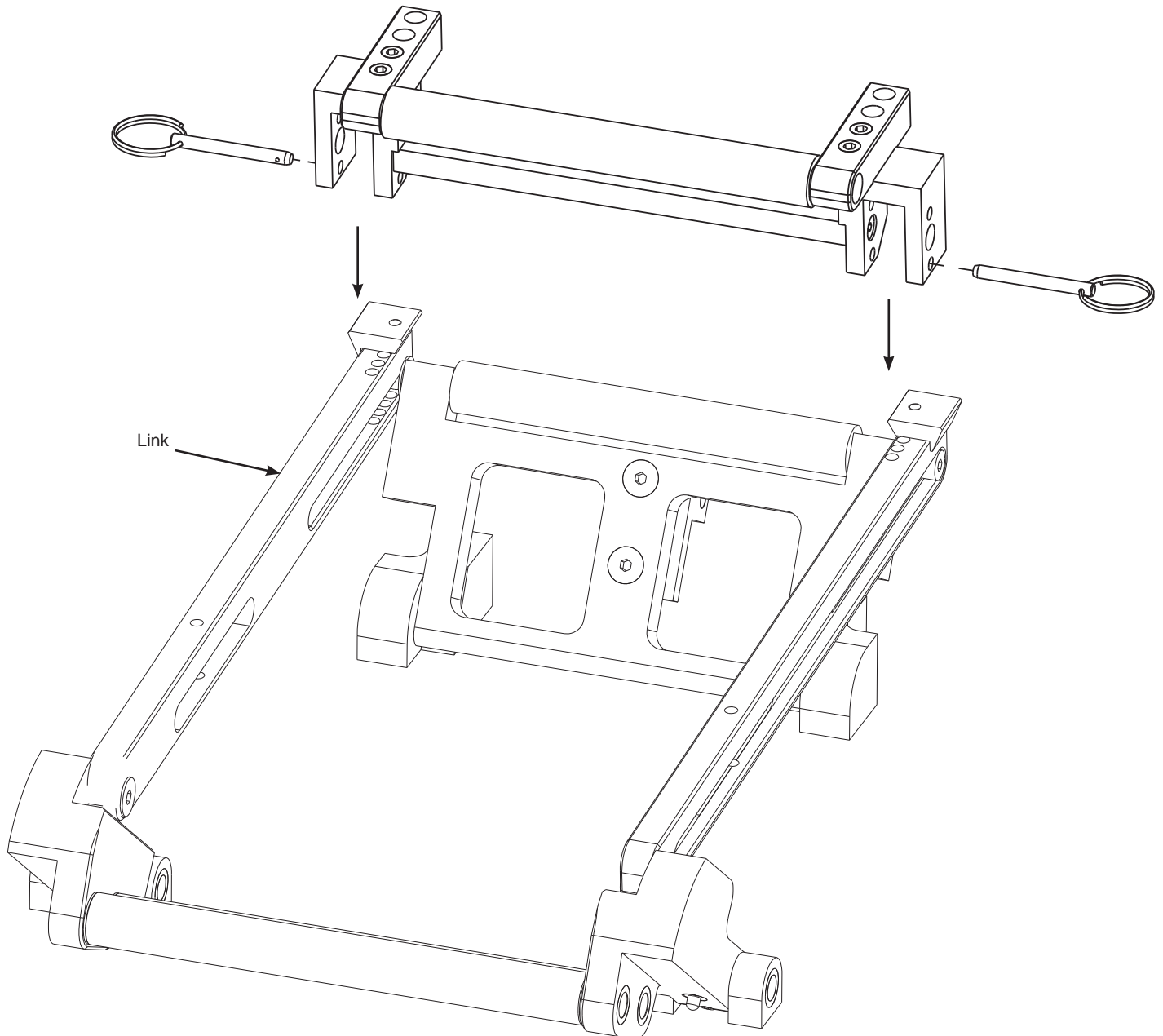


Tools Needed: 5/32" Allen Wrench

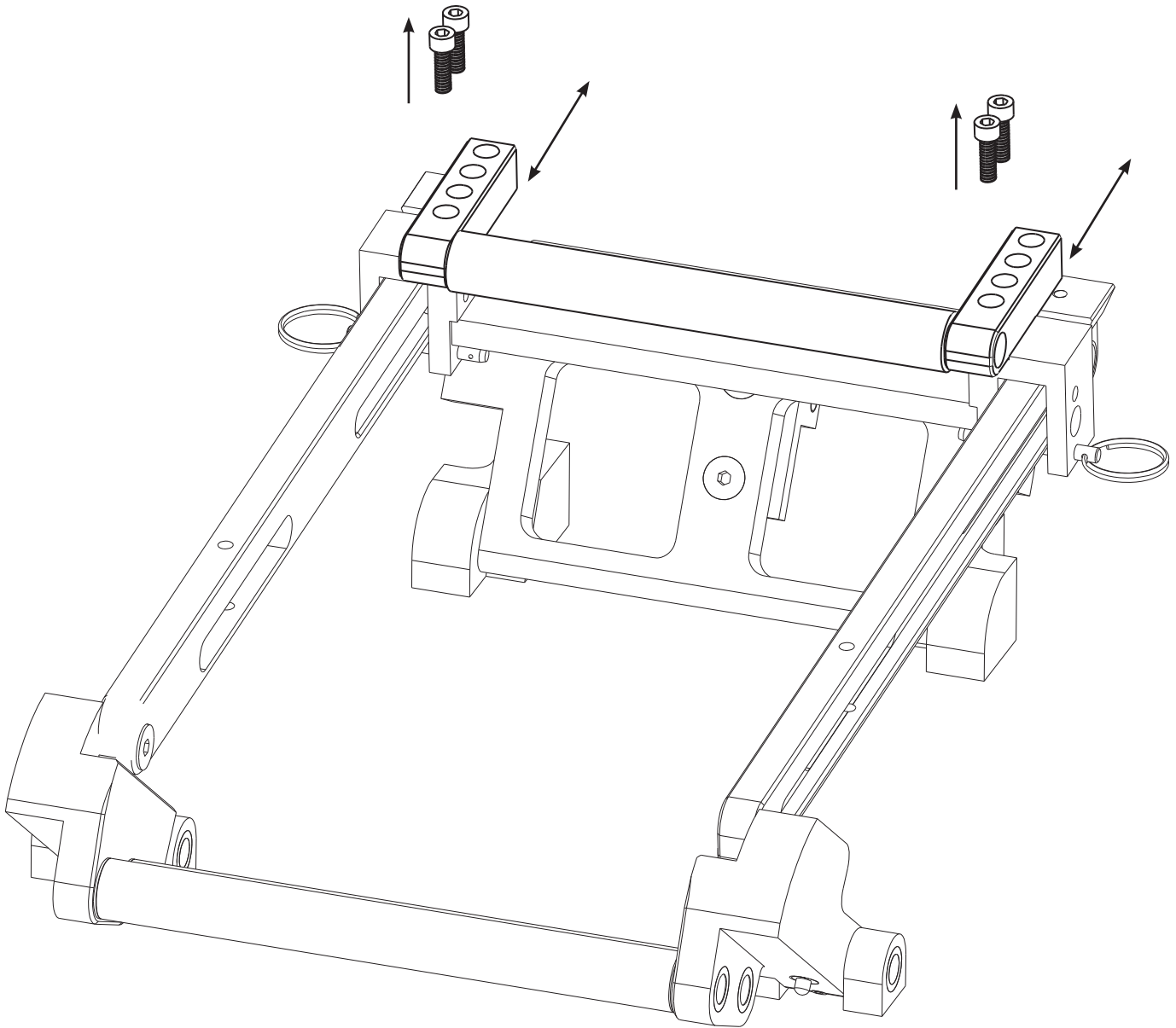
2. Installation Guide

2-1. Installation

1. Place the tail dragger assembly over the links on the tug. Push two of the pins through the small lower holes on the mount assembly. Make sure these pins go under the links.



2. To adjust the roller assembly, first remove the four adjustment screws with a 5/32" allen wrench. Slide the roller assembly forward or backwards to adjust to your tire and tighten in place with the four screws. The roller should not be too tight against the tire when the tug is not moving. **Always ensure that all four of the adjustment screws are used to secure the roller assembly.**



2-2. Warranty

LIMITED WARRANTY

Your new AC Air Technology Tug accessories are warranted to the original purchaser (only) for 60 days from the date of purchase to be free from factory defects in material and workmanship. During this 60 day period, AC Air Technology will repair or replace, at our discretion, the defective component determined by AC Air Technology to be defective.

This warranty does not apply to damage or defect resulting from mis-use, improper application, commercial use, or attempted repair by “non-AC Air Technology” service staff. The warranty does not cover shipping or handling cost or any incidental or consequential damage. Batteries and tracks are not covered by warranty.

DAMAGE LIMITS

AC Air Technology shall not be liable for any damage, indirect or consequential, loss of profits or commercial or production loss, or other special loss or damage in any way connected with this product regardless whether such claim is based on warranty, in contract, negligence, or strict liability. In no event shall the liability of AC Air Technology exceed the individual price of the product on which liability is asserted. AC Air Technology has no control of the set up, application, use, modification, or misuse of this product, thus no liability shall be assumed or accepted for any resulting damage or injury. By the first act of use, set up or assembly, the user in using the product accepts all resulting liability. Failure to operate this product in a safe and responsible manner can result in damage or injury, both to the user as well as to others, the product, or property. This product is not a toy and is NOT intended to be used by children without adult supervision. It is essential to read the entire manual and warranty/liability information prior to first use/application/installation of this product to operate correctly and avoid damage/injury,

In cases where the purchaser or user are not prepared to accept liability associated with the use of this product, the user or purchaser is advised to return the unused product immediately in unused condition to the place of purchase.

RETURN PROCEDURE

When sending equipment in for requested warranty service, please include a note describing the problems/concerns with the equipment. You must include your name, address, telephone number and email for prompt service. To request warranty service, a copy of your original sales receipt must be included. Warranty is approved and performed at the discretion of AC Air Technology service department. You are required to pay all postage, shipping and insurance charges.

