



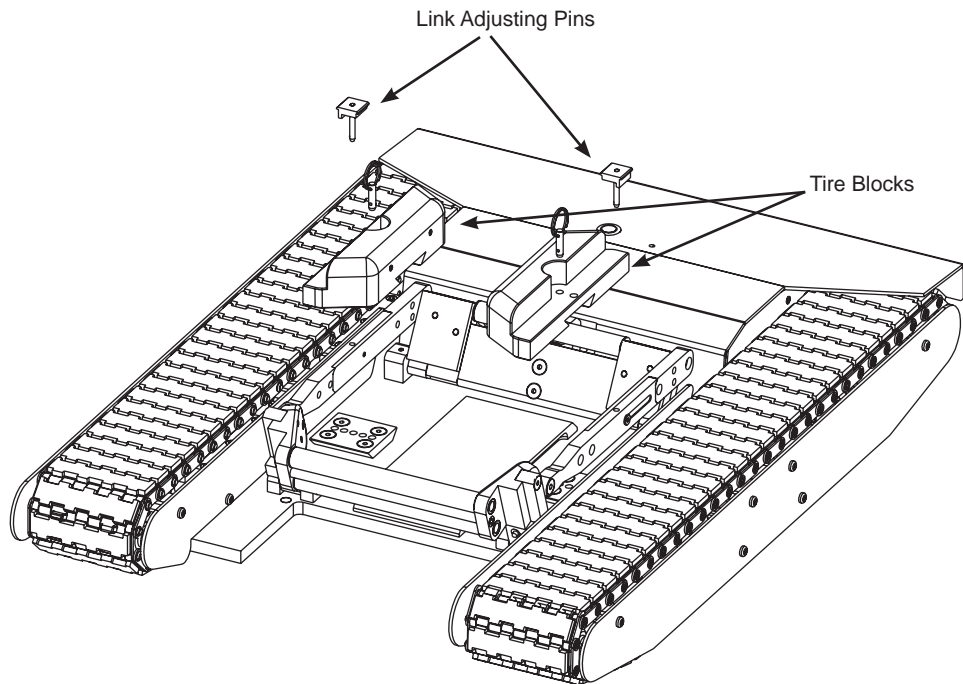
09925 Cirrus Spacer Blocks



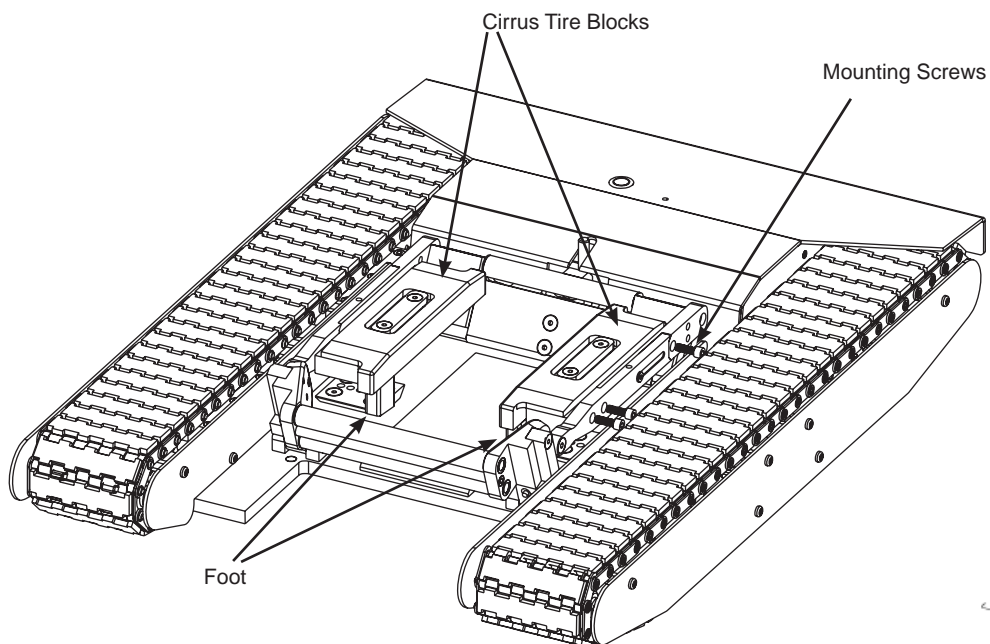
1. Installation Guide

1. Remove the existing tire blocks and link adjusting pins from both sides and put away for future use with non-fairing type aircraft.

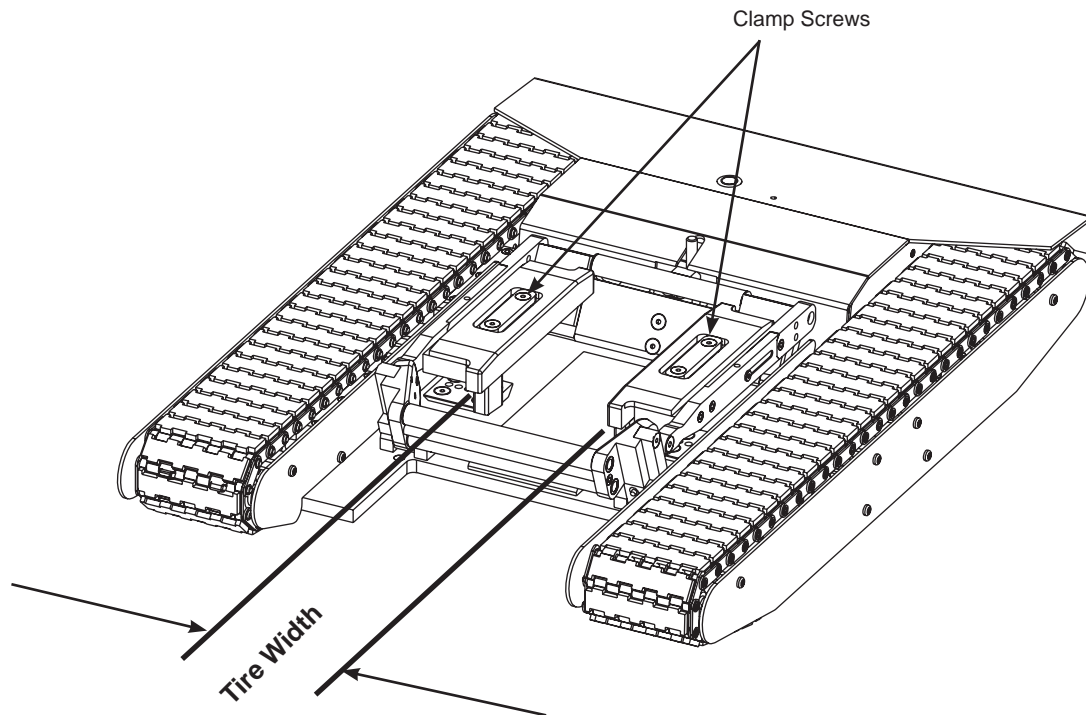
The pins could either look like  or .



2. Install the Cirrus Tire Blocks with 3 mounting screws on both sides as shown below.
(Note: Position the Tire Block with Foot toward front)



3. Loosen the 2 clamp screws on each spacer block to adjust for your tire width.
4. Use a tape measure to set the spacer blocks at the proper distance and then tighten the clamp screws.
(Cirrus SR-22 is approximately 4-7/8" width)



5. Try loading the wheel using the standard tug operating procedures.
 - a. If the tire does not load between the spacer blocks then adjust them further apart.
 - b. If the tire loads but the cradle will not close, then adjust the spacer blocks slightly further apart.
 - c. If the tire loads and the cradle closes then jog the tug rotating it slightly from side to side. The wheel should rotate with the tug and not be sloppy. If there is slop between the wheel and tug then adjust the spacer closer together.

2-2. Warranty

LIMITED WARRANTY

Your new AC Air Technology Tug is warranted to the original purchaser (only) for one full year from the date of purchase to be free from factory defects in material and workmanship. During this 12-month period, AC Air Technology will repair or replace, at our discretion, the defective component determined by AC Air Technology to be defective.

This warranty does not apply to damage or defect resulting from mis-use, improper application, commercial use, or attempted repair by “non-AC Air Technology” service staff. The warranty does not cover shipping or handling cost or any incidental or consequential damage. Batteries and tracks are not covered by warranty.

DAMAGE LIMITS

AC Air Technology shall not be liable for any damage, indirect or consequential, loss of profits or commercial or production loss, or other special loss or damage in any way connected with this product regardless whether such claim is based on warranty, in contract, negligence, or strict liability. In no event shall the liability of AC Air Technology exceed the individual price of the product on which liability is asserted. AC Air Technology has no control of the set up, application, use, modification, or misuse of this product, thus no liability shall be assumed or accepted for any resulting damage or injury. By the first act of use, set up or assembly, the user in using the product accepts all resulting liability. Failure to operate this product in a safe and responsible manner can result in damage or injury, both to the user as well as to others, the product, or property. This product is not a toy and is NOT intended to be used by children without adult supervision. It is essential to read the entire manual and warranty/liability information prior to first use/application/installation of this product to operate correctly and avoid damage/injury,

In cases where the purchaser or user are not prepared to accept liability associated with the use of this product, the user or purchaser is advised to return the unused product immediately in unused condition to the place of purchase.

RETURN PROCEDURE

When sending equipment in for requested warranty service, please include a note describing the problems/concerns with the equipment. You must include your name, address, telephone number and email for prompt service. To request warranty service, a copy of your original sales receipt must be included. Warranty is approved and performed at the discretion of AC Air Technology service department. You are required to pay all postage, shipping and insurance charges.

